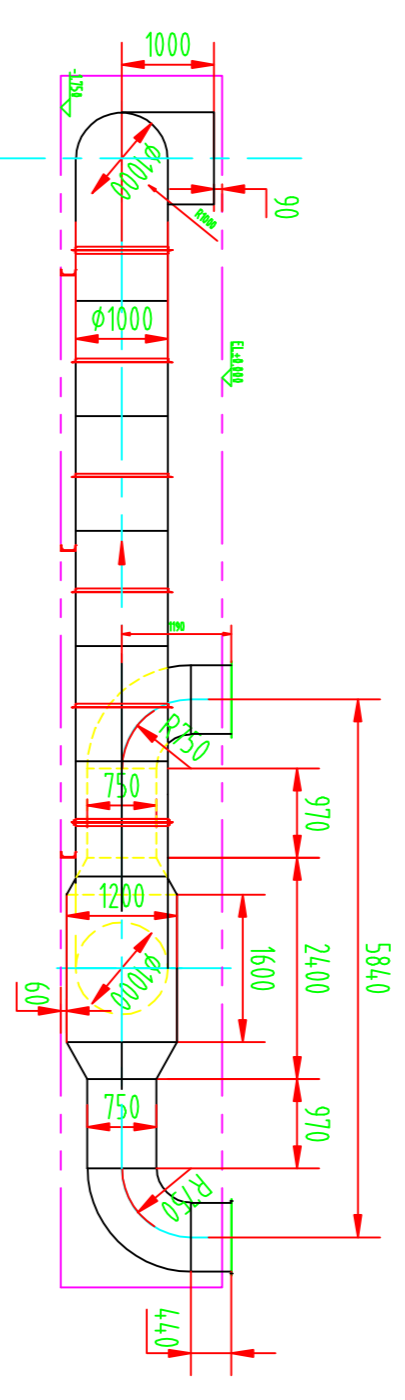
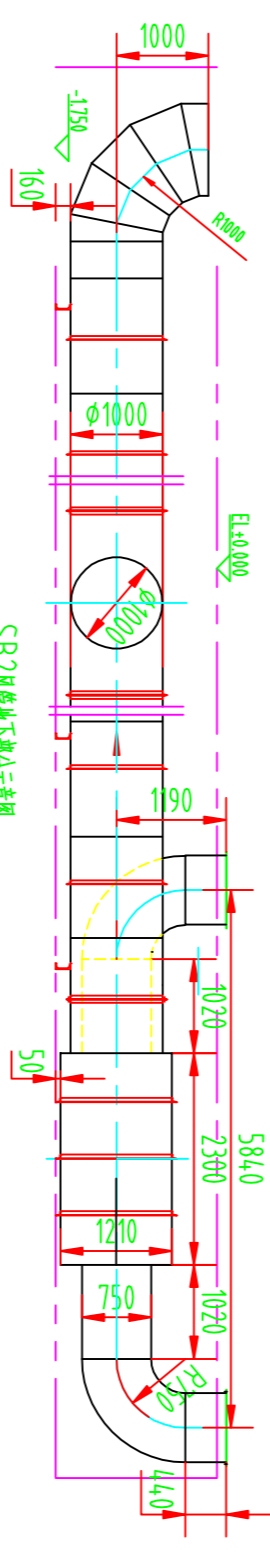


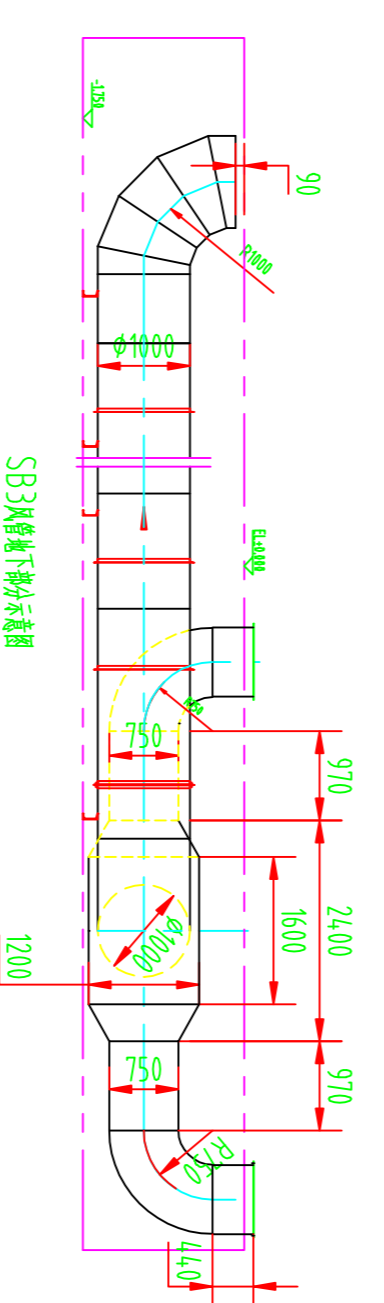
MB exhaust air piping of underground part



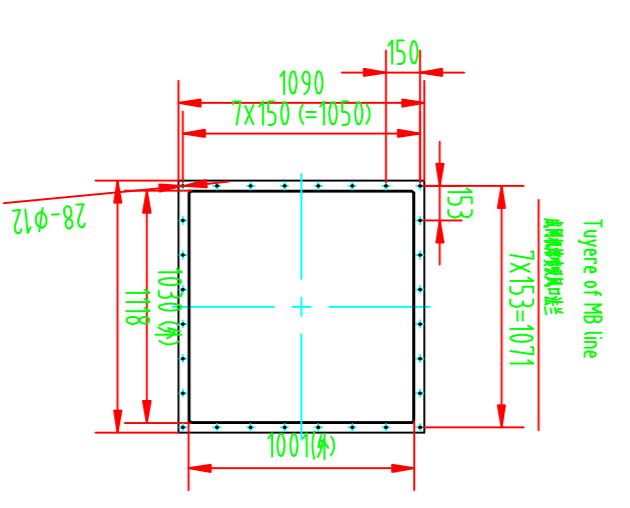
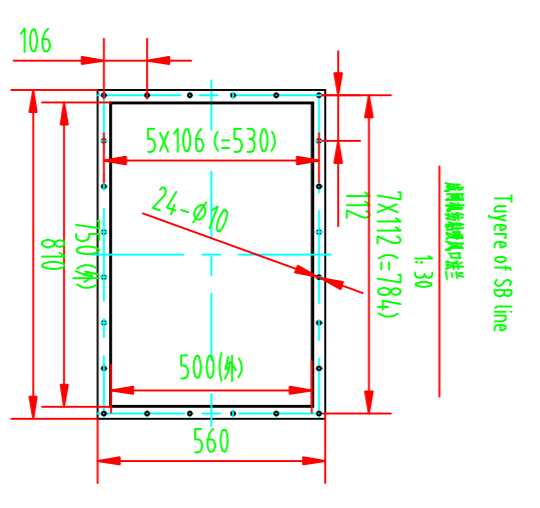
SB1 exhaust air piping of underground part



SB2 exhaust air piping of underground part



SB3 exhaust air piping of underground part



注意
 该风管的连接采用法兰连接, 法兰材料: 每段风管长度 $\geq 2200\text{mm}$ 、每段风管重量 $\geq 200\text{kg}$ 时, 法兰材料由碳钢换成低合金钢, 法兰厚度 $\geq 25\text{mm}$, 不涂防锈漆。

Tips:
 Wind pipe with circular cross-section structure segment production each length not exceeding 1220mm each section ends with the flange which made of angle steel, the reinforcement is added in the middle of each section. The wind pipe is made of stainless steel plate with thickness of 2.5 mm.

		上海方恒纺织机械股份有限公司 SHAO FANG TEXTILE MACHINERY CO., LTD.		工程名称 PROJ. NAME 32锭高速细梳棉机 32 Spindle High Speed Fine Combing Machine	
审定: OK 审核: OK 设计: OK		编制: OK 校对: OK 审核: OK		图号 DRAWING NO. G2579-02-0101	
编制: OK 审核: OK 设计: OK		编制: OK 校对: OK 审核: OK		日期 DATE 2014/04/20	