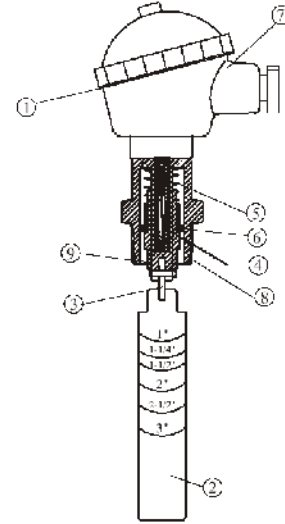


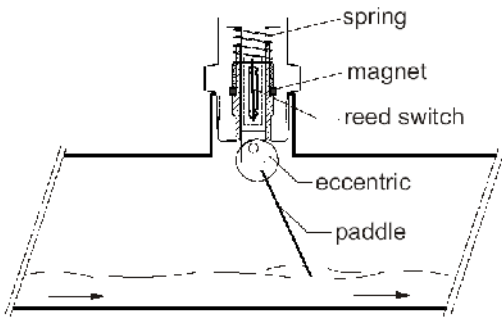
ДАТЧИКИ ПОТОКА ЖИДКОСТИ типа SF

Конструкция датчика

(), 20°-30°



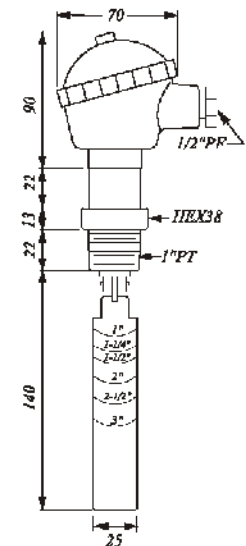
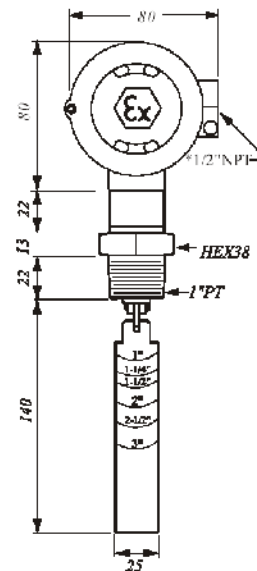
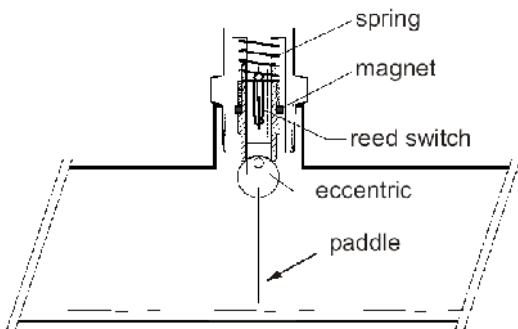
1. (ring)
2. (paddle)
3. (eccentric)
4. (reed switch)
5. (spring)
6. (magnet)
7. (housing)
8. (screw)
9. (center rod)



NEPSI 

MODEL: SF1710

MODEL: SF1800



SF1710

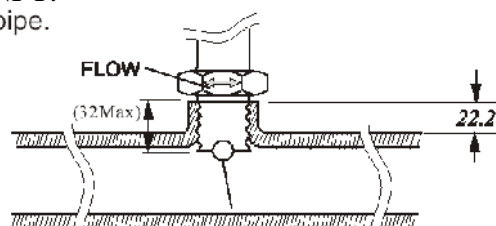
	SF1710	SF1800
	, Ex d IIC T6	, IP65
	-30°C~100°C	
	SUS304	SUS304
	Max. 355 PSIG	
	3 PSIG	
	=/- 25%	
	=/- 5%	
	60 ~220 /≈200 , SPDT	

Flow Volume Paddle Length Gallon/Min.	1"		1-1/4"		1-1/2"		2"		2-1/2"		3"	
	Act.	De-Act.	Act.	De-Act.	Act.	De-Act.	Act.	De-Act.	Act.	De-Act.	Act.	De-Act.
1"	5	4	8.5	6.5	12	9	17	15				
1-1/4"			6.5	4.5	9	7	15	12	23	20		
1-1/2"					14	10	23	16	32	25		
2"							18	12	24	17	33	27
2-1/2"									20	13	27	22
3"											22	16

Paddle length –

Flow volume (water/min) –

(/)

<p>Установка</p> <p>1.</p> <p>2.</p> <p>3.</p> <p>4.</p> <p>1" NPT.</p> <p>()</p> <p>1"</p> <p>NPT. pipe.</p> 	<p>Предостережение:</p> <p>1.</p> <p>2.</p> <p>3.</p> <p>4.</p> <p>5.</p>
---	--